

Agile IQ 3.4.10 Release Note

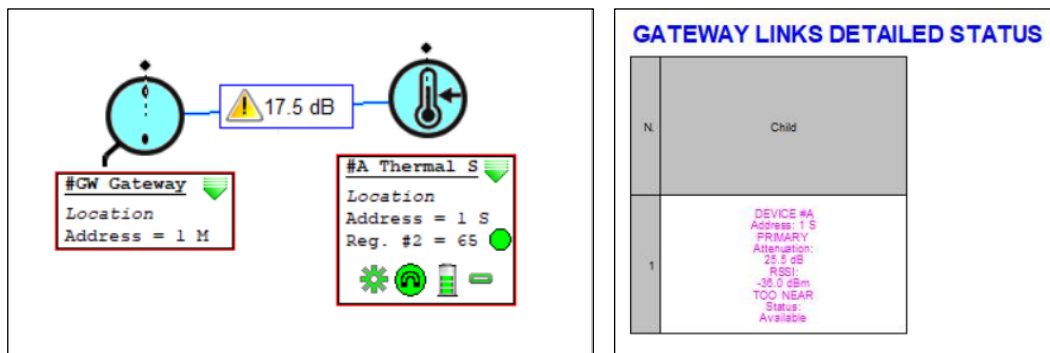
January 2022

The new Agile IQ 3.4.10 software will include two improvements

1. Warning of possible Link saturation due to proximity

Following Agile Technical Bulletin PB-RF-002 an indication of degraded link has been introduced, also when nodes are too close to each other causing antenna saturation.

The link is marked marginal when signal attenuation is below 20dB on configuration tab and is marked marginal with purple colour on diagnostic report link list.



2. Extension of visible lines in “Continuous Diagnostic”

Following Agile Technical Bulletin PB-RF-001 the clamp on maximum number of line visible in Continuous diagnostic has been removed and now full 49 nodes lines can be visualized.

	Device	Device address	Reed switch	Battery	Anti-tamper	Register #2
DEVICES	#A Sounder	2 M	/	BATTERY LOW: 68% 00% 00% 00%	OK	16 Battery not available
	#B Sounder	3 M	/	BATTERY LOW: 72% 00% 00% 00%	OK	16 Battery not available
	#C Sounder	4 M	/	BATTERY LOW: 76% 00% 00% 00%	OK	16 Battery not available
	#D Sounder	5 M	/	BATTERY LOW: 76% 00% 00% 00%	OK	16 Battery not available
	#E Sounder	6 M	/	BATTERY LOW: 76% 00% 00% 00%	OK	16 Battery not available
	#F Sounder	7 M	/	BATTERY LOW: 72% 00% 00% 00%	OK	16 Battery not available
	#G Sounder	8 M	/	BATTERY LOW: 76% 00% 00% 00%	OK	16 Battery not available
	#H Sounder	9 M	/	BATTERY LOW: 72% 00% 00% 00%	OK	16 Battery not available
	#I Sounder	10 M	/	BATTERY LOW: 76% 00% 00% 00%	OK	16 Battery not available
	#K Sounder	11 M	/	BATTERY LOW: 76% 00% 00% 00%	OK	16 Battery not available
	#L Sounder	22 M	/	BATTERY LOW: 72% 00% 00% 00%	OK	16 Battery not available
LINKS	#M Sounder	23 M	/	BATTERY LOW: 76% 00% 00% 00%	OK	16 Battery not available
	#N Sounder	24 M	/	BATTERY LOW: 72% 00% 00% 00%	OK	16 Battery not available
	#O Sounder	25 M	/	BATTERY LOW: 76% 00% 00% 00%	OK	16 Battery not available
	#P Sounder	26 M	/	BATTERY LOW: 84% 00% 00% 00%	OK	16 Battery not available
	#Q Sounder	27 M	/	BATTERY LOW: 68% 00% 00% 00%	OK	16 Battery not available
	#R Sounder	28 M	/	BATTERY LOW: 72% 00% 00% 00%	OK	16 Battery not available
	#S Sounder	29 M	/	BATTERY LOW: 76% 00% 00% 00%	OK	16 Battery not available
	#T Sounder	30 M	/	BATTERY LOW: 72% 00% 00% 00%	OK	16 Battery not available
	#U Photo	2 S	OK	BATTERY LOW: 52% 00% 96% 00%	OK	16 Battery not available
	#V Photo	10 S	OK	BATTERY LOW: 72% 00% 00% 00%	OK	16 Battery not available
	#W Photo	3 S	OK	BATTERY LOW: 76% 00% 00% 00%	OK	16 Battery not available
	#X Photo	4 S	OK	BATTERY LOW: 72% 00% 00% 00%	OK	16 Battery not available
	#Y Photo	5 S	OK	BATTERY LOW: 68% 00% 00% 00%	OK	16 Battery not available
	#Z Photo	6 S	OK	BATTERY LOW: 76% 00% 00% 00%	OK	16 Battery not available
	#AA Thermal S	11 S	OK	BATTERY LOW: 76% 00% 00% 00%	OK	16 Battery not available
	#AB Photo	12 S	OK	BATTERY LOW: 76% 00% 00% 00%	OK	16 Battery not available
	#AD PIR	14 S	OK	BATTERY LOW: 76% 00% 00% 00%	OK	16 Battery not available
	#EE PIR	15 S	OK	BATTERY LOW: 72% 00% 00% 00%	OK	16 Battery not available
#FF Photo	16 S	OK	BATTERY LOW: 76% 00% 00% 00%	OK	16 Battery not available	
#GG PIR	17 S	OK	BATTERY LOW: 76% 00% 00% 00%	OK	16 Battery not available	
#HH Rem. Ind	1 R	/	OK: 72% 96%	/	62 Normal	
#IJ Rem. Ind	2 R	/	OK: 72% 100%	/	62 Normal	
#KK Rem. Ind	4 R	/	OK: 60% 100%	/	62 Normal	
#LL Rem. Ind	7 R	/	OK: 92% 84%	/	62 Normal	
#MM Rem. Ind	9 R	/	OK: 100% 100%	/	62 Normal	
#NN Rem. Ind	10 R	/	OK: 92% 96%	/	62 Normal	
#OO Rem. Ind	11 R	/	OK: 96% 100%	/	62 Normal	