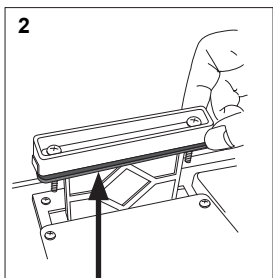
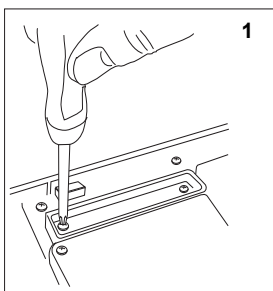


The filters are located inside the cabinet at the top of the FAAST LT unit.

Opening the cabinet door during normal operation will cause the unit to enter **Service Mode**. The **FILTER** LEDs will blink, the unit will switch off power to the fans and stop communicating with the fire panel, or the fault relay will indicate a fault (depending on the type of FAAST LT unit). When the cabinet door is closed, the unit restarts automatically. Use the following procedure to replace a filter in the FAAST LT unit:

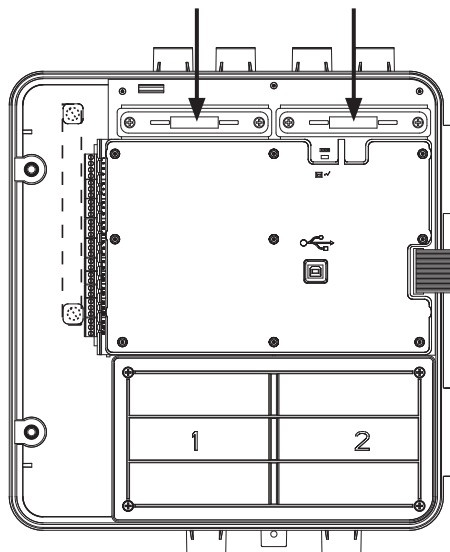


**FOAM GASKET**

- 3 Remove the foam gasket from the old filter and place onto the new filter. When placing the new filter into the slot, ensure that the gasket is correctly aligned.

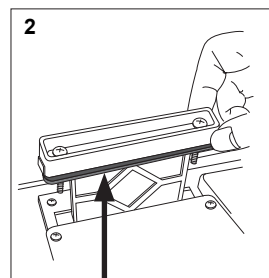
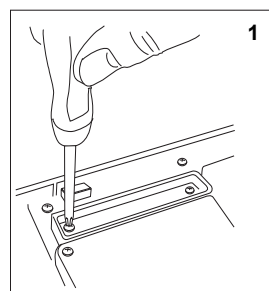
- 4 Screw the new filter into place.

Close and secure the cabinet door. The unit will initialise and restart.



The filters are located inside the cabinet at the top of the FAAST LT unit.

Opening the cabinet door during normal operation will cause the unit to enter **Service Mode**. The **FILTER** LEDs will blink, the unit will switch off power to the fans and stop communicating with the fire panel, or the fault relay will indicate a fault (depending on the type of FAAST LT unit). When the cabinet door is closed, the unit restarts automatically. Use the following procedure to replace a filter in the FAAST LT unit:



**FOAM GASKET**

- 3 Remove the foam gasket from the old filter and place onto the new filter. When placing the new filter into the slot, ensure that the gasket is correctly aligned.

- 4 Screw the new filter into place.

Close and secure the cabinet door. The unit will initialise and restart.

