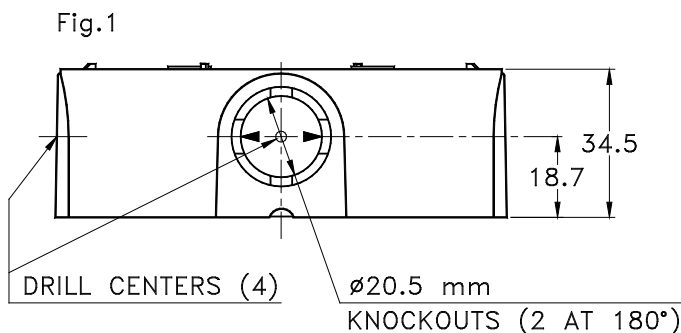




SMK400EAP (-IV)

SURFACE MOUNTING ADAPTOR KIT FOR USE WITH THE B501AP INTELLIGENT DETECTOR BASE INSTALLATION INSTRUCTIONS



GENERAL DESCRIPTION

The SMK400EAP(-IV) Surface Mounting Adaptor Kit allows the B501AP Intelligent detector base to be surface mounted when the ceiling construction prevents the use of conventional recessed metal electrical junction boxes.

This kit consists of the following parts:

- 1 - Plastic Surface Mount Adaptor
- 2 - Screws ($\varnothing 4 \times 12$ mm)

MOUNTING INSTRUCTIONS

1. Read the installation instructions for the B501AP base.
2. Drill or knockout the appropriate holes (see Figure 1).
3. Mount the adaptor on the ceiling using the mounting holes (see Figure 2) and appropriate screws or bolts (not included). The screws or bolts must be long enough to go through the adaptor (4 mm) and still fasten securely to the ceiling.
4. Locate a B501AP base over the wires and using the 2 screws supplied fix to base mounting pillars - do not overtighten screws.
5. Wire the detector mounting base per the B501AP installation instructions.
6. Plug the detector head into its mounting base and rotate clockwise.

