

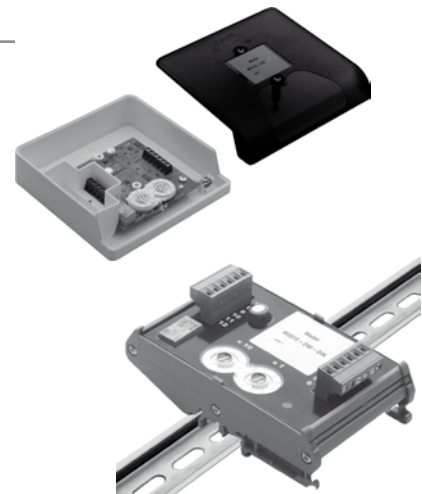
ANALOGUE

Model M201E-240 and M201E-240-DIN

Overview

Features

- M201E-240 Mains Switching Output Module
- M201E-240-DIN DIN rail mount 240V mains Switching Output Module
- Tri-colour LEDs
- Built-in short circuit isolators
- Decade address switches
- Approved to CEA GEI 1-082 and CEA GEI 1-084



G202141

Description

The M201E-240 and M201E-240-DIN form part of the new family of input/output modules in System Sensor Europe's Series 200 plus range.

The M201E-240 is a loop-powered device controlling an unsupervised double pole (one normally open, one normally closed) output suitable for managing 240VAC loads. The output relay is a bistable device, latching in the on or off state on command from the control panel. The module is supplied in a wall mounting box as standard with a grounding terminal provided.

The M201E-240-DIN has the same features and capabilities as the M201E-240 but is designed to mount directly on to a standard 35mm "Top Hat" DIN rail. The module is supplied unboxed for installation in a suitable enclosure.

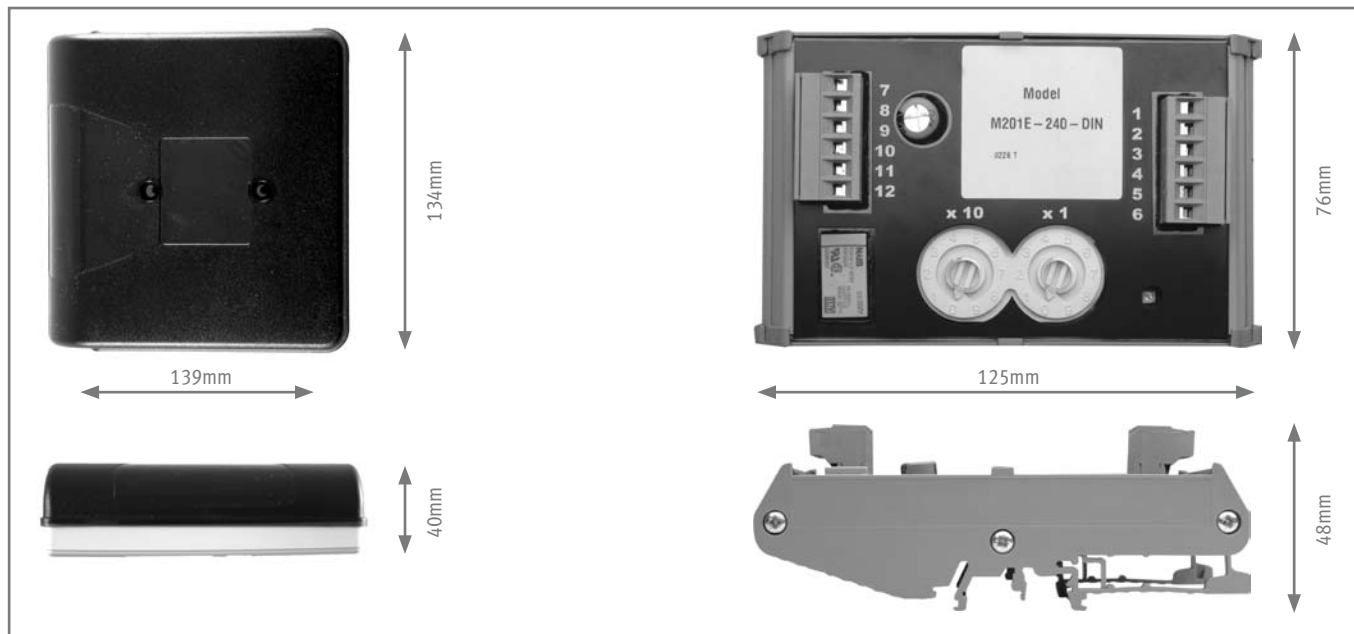
Each module has built-in short circuit protection for the communications loop; however, to increase application flexibility, the isolators can be selected/deselected on an individual module basis.

To help technicians in the maintenance and fault-finding process, both the LEDs and the switches can be viewed without having to remove the cover of the surface mounting box. The LEDs, being multi-colour, provide diagnostic information regarding the status of each individual input/output.

For ease of installation, testing and maintenance, the field wiring terminals are of plug-in design.

Architect/Engineer Specifications

M201E – 240 and –240 – DIN Mains Switching Output Module



Electrical Specifications

Operating Voltage Range	15 to 30VDC
Maximum Standby Current	275µA at 24VDC (no communications)
Maximum Alarm Current	445µA at 24VDC, One communication each 5 seconds with LED blink enabled
Relay Specifications	5A at 30VDC, 5A at 250VAC, resistive load 1 x NO and 1 x NC contacts

Environmental Specifications

Application Temperature Range	-20°C to 60°C
Humidity	0% to 95% Relative Humidity (non-condensing)

Mechanical Information – 240

Height	40mm
Length	134mm
Width	139mm
Weight	195g
Maximum Wire Gauge for Terminals	1.5mm ²

Mechanical Information – 240 -DIN

Height	48mm
Length	125mm
Width	76mm
Weight	140g
Maximum Wire Gauge for Terminals	2.5mm ²

System Sensor Europe (Technical Services)

Charles Avenue
Burgess Hill
RH15 9TQ
United Kingdom

Tel: +44 (0)1444 238820

Fax: +44 (0)1444 248123

Email: sse.technical@systemsensor.com

www.systemsensoreurope.com

Copyright © 2005 System Sensor. All rights reserved.

All technical data is correct at time of publication and is subject to change without notice. All trademarks acknowledged.

Installation information: in order to ensure full functionality, refer to the installation instructions as supplied.