

## FAAST LT Stand Alone Model

### Overview

#### Features

- Multiple event logging up to 2240 events
- Ultrasonic airflow sensing
- A single device covers up to 2000m<sup>2</sup>
- PipelQ™LT software provides intuitive system layout and configuration all in one package
- User friendly air flow pendulum graph for verification of pipe network functionality
- Protected electronics from air flow and accidental damage during installation or maintenance
- Easily replaceable and reusable filter without affecting the rest of the device
- Designed for efficient wiring and installation: cable gland holes, easy access to the wiring area and no special tools required.
- Easy access to parts requiring routine maintenance: filter(s) and sensor(s).
- Single & Dual channel versions with independent channels including fan, sensor and flow monitoring
- IP65 enclosure



### Description

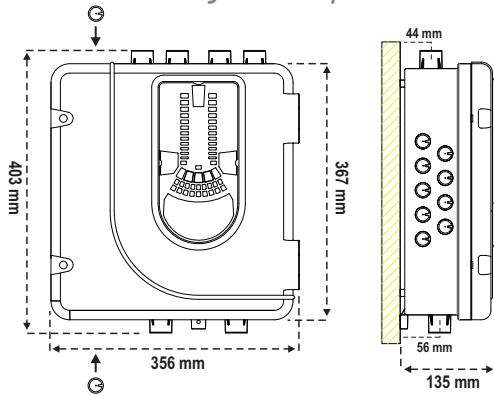
The FAAST LT Aspirating Smoke Detector is designed with the installer and end user in mind. It serves the wide variety of Class C applications where maintenance is difficult, other smoke detection methods are inappropriate or prone to fail due to harsh environments or areas where aesthetics matters. It is also suitable for smaller mission critical applications where very early warning - Class A or B detection is required.

FAAST LT combines proven aspiration detection technologies to deliver reliable smoke detection and efficient installation and maintenance. The device includes high sensitivity laser fire detection, ultrasonic flow sensors, and internal design features to protect vulnerable components from environmental and human threats. The device is fast to install and easy to commission thanks to PIPE IQ LT pipe design and configuration software which is included as standard.

FAAST LT stand alone devices are available as single channel and dual channel devices, offering flexibility for different detection strategies. A range of customisable settings are geared towards maximising device performance and meeting different application needs.

The detector provides alarm and fault relays with auxiliary events relay as an option. These can be set as latched or non-latched. To accommodate local installation standards or environments, flow and general fault delays can also be set.

## Architect/Engineer Specifications

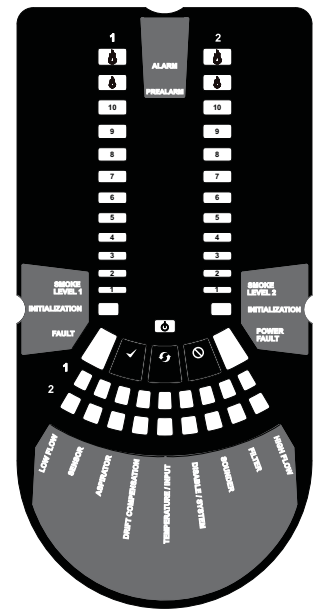


## User Interface Display

The front panel will be different depending on which of the 3 stand alone models is being installed.

The following information is displayed

- Alarm level; Alarm, Pre-Alarm
- Particulate Levels; 1-9
- Fault Status
- Flow Level
- Test, Reset and Disable Buttons



## Physical Specification

Height	403mm (including inlets and outlets)
Width	356mm
Depth	135mm
Cable Access	Knock out cable gland holes
Wire Gauge	0.5mm <sup>2</sup> to 2mm <sup>2</sup> max
Maximum Single Pipe Length	100m
Maximum Total Branched Pipe Length	160m (per channel)
Maximum Air Inlet Holes	18 (per channel)
Outside Pipe Diameter	25mm or 27mm
Internal Pipe Diameter	15-21mm
Sensitivity	0.07 % obs/m
Relays	3 (1 Alarm, 1 Fault, 1 Pre-Alarm) x per Channel
Sounder outputs	1 per channel
Event Log	2244 Events
Interfaces	Terminal blocks: power supply, relays, sounder outputs, external input; USB port; Buttons (Test, Reset, Disable)
Power supply and relays connections	2mm <sup>2</sup> max
USB	Standard USB cable for Type B USB connection
Shipping Weight- Including packaging material	6.5 kg ( dual channel)
Flow monitoring and reporting	High and low according to EN54-20
Filtration	Replaceable filter
Fan control	10 programmable speeds

## Customer Services

Life Safety Distribution AG  
 Javastrasse 2  
 8604 Hegnau  
 Switzerland  
 0800 587 5675  
 Tel: +41 44 943 4300  
 orders@systemsensor.com

## Technical Services

Tel: +44 (0) 1444 238820  
 Fax: +44 (0) 1444 248123  
 sse.technical@systemsensor.com

## Electrical Specifications

Smoke Sensor (s)	Optical laser point type
External Supply Voltage	18.5-31.5 V
Remote Reset Time	2s
Power Reset	0.5s
Avg. Operating Current	
1 Channel Device	170mA @ 24 VDC (excluding sounders)
2 Channel Device	270mA @ 24 VDC (excluding sounders)
Max. Average Operating Current	
1 Channel Device	360mA @ 24 VDC (excluding sounders)
2 Channel Device	570mA @ 24 VDC (excluding sounders)
Relay Contact Ratings	2.0 A @ 30 VDC, 0.5 A @ 30 VAC

## Environmental Specifications

Operating Temperature	-10°C to 55°C
Humidity Range	10% to 93% (non condensing)
IP Rating	65
Coverage Area	up to 2000m <sup>2</sup>

## Ordering Information

Part No.	Description
FL0122E	Stand Alone Dual Channel Detector
FL0112E	Stand Alone Single Channel Dual Detector
FL0111E	Stand Alone Single Channel Detector

## Accessories

F-LT-EB	Earth Bar
FL-IF-6	FAAST LT Integral Filter (6 filters)
Pipe and Fittings	Please see Aspiration Accessories Brochure

## Listings and Approvals

CPD	
LPCB	
EN54-20: (holes per channel)	Class A – 3 holes
	Class B – 6 holes
	Class C - 18 holes