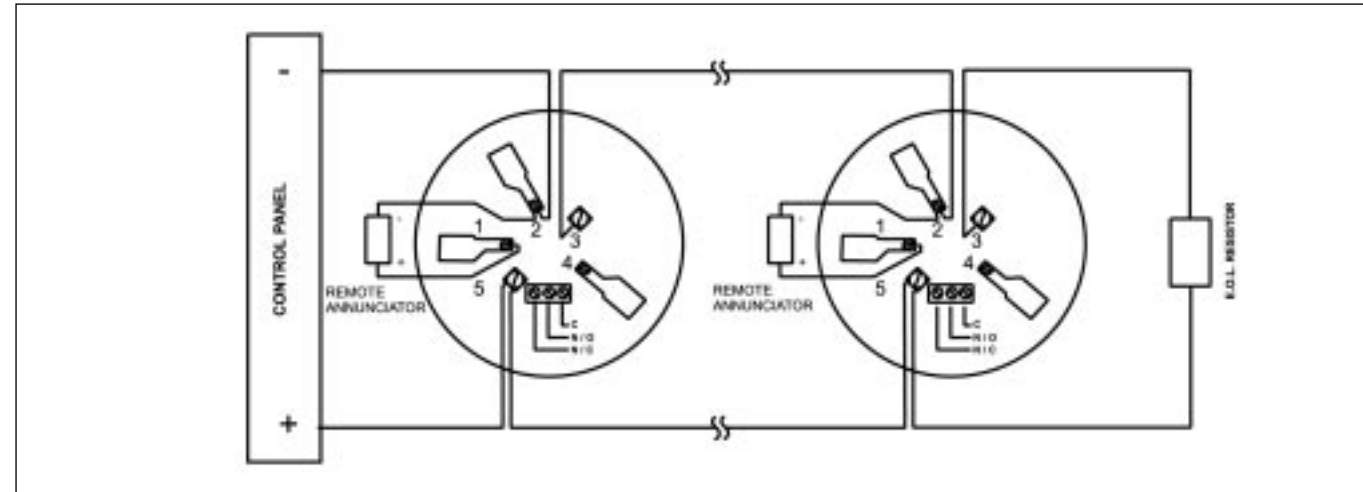


Architect/Engineer Specifications

Typical 2-wire system using B412RL / B424RL Relay Base



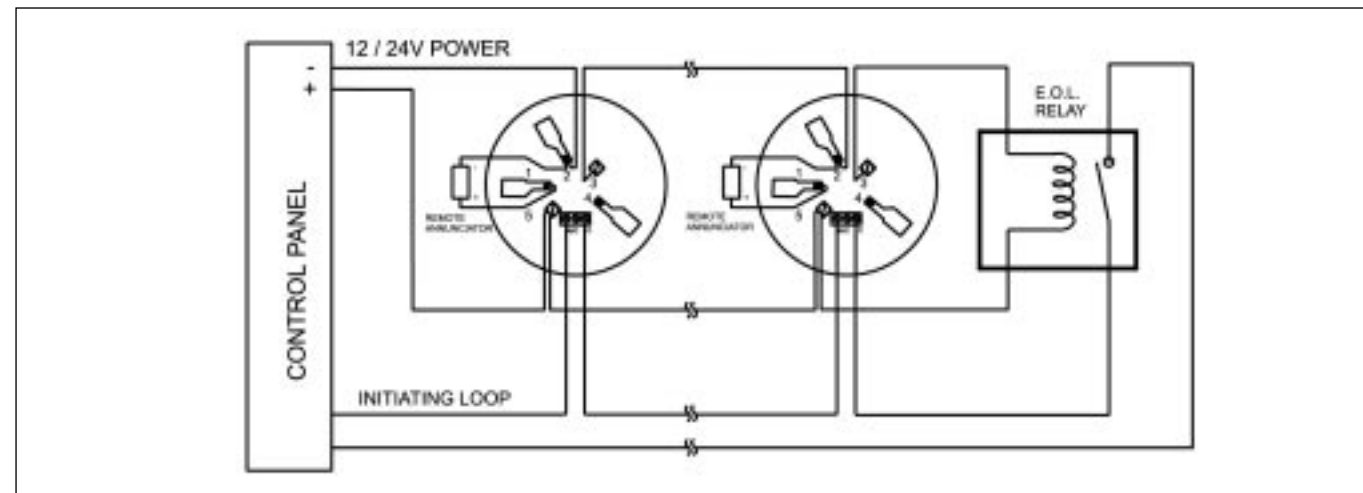
SERIES 300
Relay Bases
Model B424RL, B412RL and B412NL



Product Overview



Typical 4-wire Security System with normally closed contacts using B412NL / B412RL Relay Base



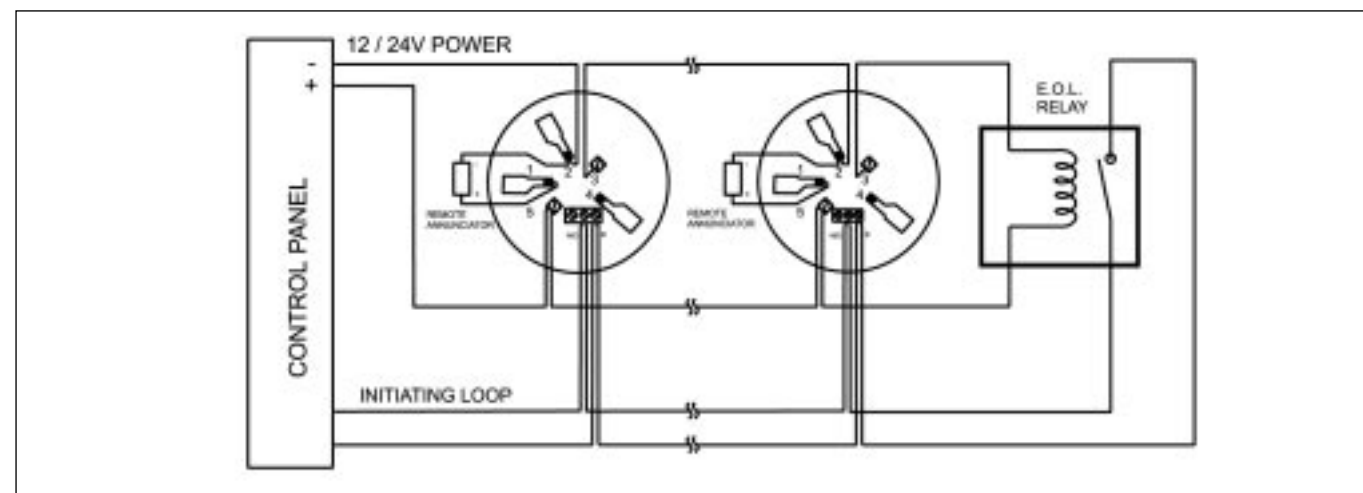
Description

System Sensor's range of conventional relay bases can be used to interface smoke detectors to 4-wire security panels or to provide a relay output suitable for the operation of door-closers etc. when used with 2 wire fire alarm panels. The bases are compatible both with 4 wire security type systems using a normally closed contact and 4 wire fire alarm panels using a normally open contact.

When used with System Sensor 1151E and 2151E detectors, these bases are designed to replace the 1400, 1412, 1424, 2400, 2412 and 2424 direct wire smoke detectors.

To maximise their flexibility several versions of the base are available to ensure compatibility with the maximum number of control panels:

Typical 4-wire Fire System with normally open contacts using B412RL / B424RL Relay Base



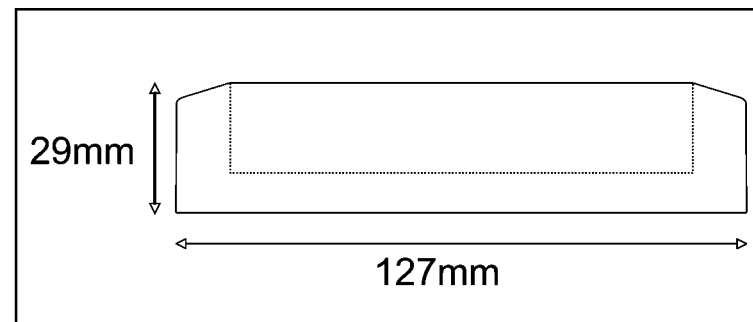
Architect/Engineer Specifications

B424RL, B412RL and B412NL Relay Bases

B412NL Non-latching relay base. This base is designed for use in 12V 4 wire security systems which do not provide a reset facility. The B412NL automatically resets the smoke detector when a fire condition no longer exists. Because of the self-reset feature, this base is ideal for the control of electrical apparatus such as air conditioning systems in systems using a 12V power supply instead of a control panel. Current limiting in the alarm state is provided by the circuit built into the base. The product is self resetting from alarm and this is achieved by periodically removing the supply voltage from the detector and checking after-wards that the detector is still in alarm. While the detector is in alarm the LED will be on, although it will flash when the alarm check is performed.

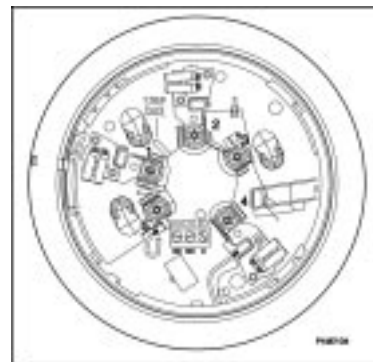
B412RL Latching relay base. This base does not automatically reset the detector, allowing for easy identification of the detector which caused an alarm. This base can be used in 4 wire security systems with a reset facility. It can also be used to provide a relay output from a detector installed on a 24V 2 wire fire system using a series resistance greater than 470Ω.

B424RL latching relay base. This base is primarily intended for use to provide a relay output when used with a 24V fire alarm system, but can also be used with US-style 24V 4 wire fire alarm systems. It is fitted with a break off tab to allow it to be used with a wide range of control panels, or even to be powered directly from a 24V supply and used for localised equipment shut down. The break off tab should be broken when there is no limiting resistor in series with the 24V power supply to the base or when the value of the limiting resistor is less than 160Ω. System Sensor B424RL bases are designed for use with all System Sensor 100 and 400 series conventional smoke detectors and heat detectors. Current limiting in the alarm state is provided by the circuit built into the base. The relay is controlled directly from the detector and therefore as the detector is latched in alarm, so too will be the base. The alarm condition can only be reset by interruption of the supply to the detector and base.



Base Compatibility Table

Nominal Panel Voltage	System Type	Panel Reset Facility	Panel Resistance	Suitable Base
12V	4 wire	No reset	N/A	B412NL
12V	4 wire	Reset	N/A	B412RL
24V	4 wire	Reset	N/A	B424RL (tab broken)
24V	2 wire	Reset	>470Ω	B412RL
24V	2 wire	Reset	<470Ω	B424RL
24V	2 wire	Reset	<160Ω	B424RL (tab broken)



System Sensor Europe (Technical Services)
 Charles Avenue
 Burgess Hill
 RH15 9TQ
 United Kingdom
 Tel: +44 (0)1444 238820
 Fax: +44 (0)1444 248123
 sse.technical@systemsensoreurope.com
 www.systemsensoreurope.com

Copyright © 2005 System Sensor. All rights reserved. All technical data is correct at time of publication and is subject to change without notice. All trademarks acknowledged. Installation information: in order to ensure full functionality, refer to the installation instructions as supplied.

Architect/Engineer Specifications

B424RL

Electrical Specifications

Input Voltage	Maximum Ripple Voltage	Input Capacitance
8.5V to 31.0V	4V peak to peak	2 nF Maximum
Standby Current	Alarm Rating	Relay Contact Resistance
1μA Maximum (detector not included)	25mA @ 12V	100mΩ

B412RL

Electrical Specifications

Input Voltage	Maximum Ripple Voltage	Input Capacitance
8.5V to 32.0V	4V peak to peak	20 pF Maximum
Standby Current	Alarm Rating	Relay Contact Resistance
1μA Maximum (detector not included)	45mA @ 12V	100mΩ

B412NL

Electrical Specifications

Input Voltage	Maximum Ripple Voltage	Input Capacitance
8.5V to 15.0V	4V peak to peak	2 nF Maximum
Standby Current	Alarm Rating	Relay Contract Resistance
20μA Maximum (detector not included)	45mA @ 12V	100mΩ